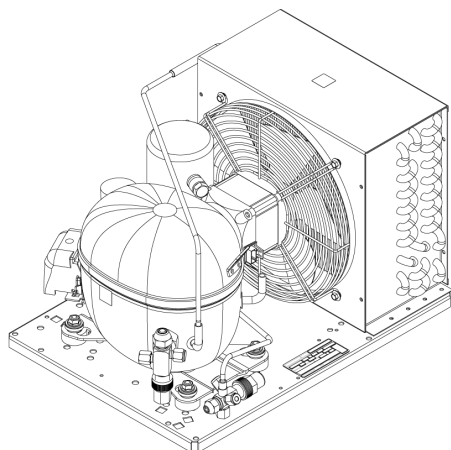


MODEL UNT2178GK

CODE 502EA5612AA

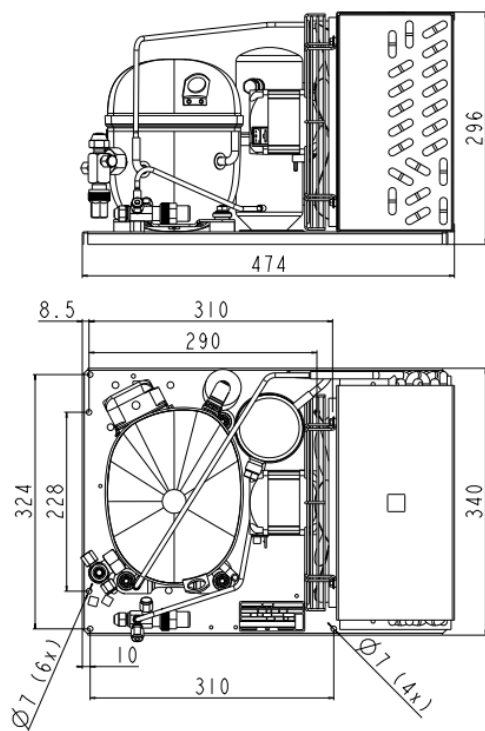
embraco POWER IN. CHANGE ON.



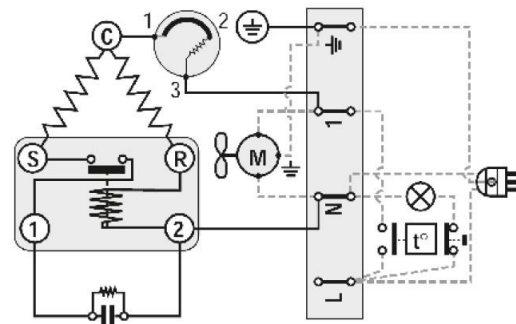
GENERAL DATA

Application:	LBP
Refrigerant:	R404A
Expansion Device:	C-V
Weight:	27.6 kg
Receiver:	1.2 liter
Voltage/Frequency:	220 - 240 V 50 ~
Height:	27.6 mm
Length:	474 mm
Width:	340 mm
Institute Approvals:	CE

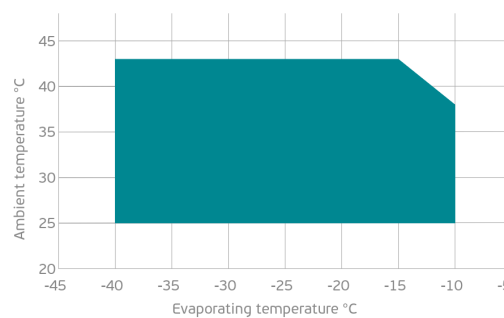
EXTERNAL DIMENSIONS



WIRING DIAGRAM



OPERATING ENVELOPE



COMPONENTS (SPARE PARTS)

fankit:	16W 254/28°/5B	1996579
valve_disch:	SOLDER 1/4"	2110047
elkit:	ELKOM NT2178GK	922EA0413A

condenser:	4R11T	2451217
valve_suca:	SOLDER 3/8"	2110049
compressor:	NT2178GK	922EA09..AC

For additional accessories please contact our technical support



MODEL **UNT2178GK**

CODE **502EA5612AA**

embraco POWER IN. CHANGE ON.

ELECTRICAL DATA

Motor Type: CSIR -
Locked Rotor Amperage (RLA): 25 A
Max.Current: 4.24 A

At maximum evaporating temperature and maximum ambient temperature.

FAN MOTOR

Number: 1 -
Shaft Power: 16 W
Air Flow: 460 m³/hod
Blade Diameter: 254 mm

PERFORMANCE CURVE DATA

Standard: EN13215-RG20 / return gas 20°C, subcooling 3K

50 Hz

	Evaporating Temperature (°C)	Cooling Capacity (W)	Power Consumption (W)	Current Consumption (A)	Efficiency (W/W)
25°C Ambient Temperature	-10°C	1 387	920	5.26	1.51
	-15°C	1 191	810	4.82	1.47
	-20°C	994	714	4.45	1.39
	-25°C	806	629	4.14	1.28
	-30°C	638	553	3.89	1.15
	Rated point -35°C	499	484	3.67	1.03
	-40°C	399	418	3.48	0.96
32°C Ambient Temperature	-10°C	1 262	950	5.43	1.33
	-15°C	1 083	834	4.96	1.30
	-20°C	903	734	4.58	1.23
	-25°C	731	647	4.26	1.13
	-30°C	578	570	4.00	1.02
	Rated point -35°C	455	500	3.79	0.91
	-40°C	371	435	3.61	0.85
43°C Ambient Temperature	-15°C	842	886	5.15	0.95
	-20°C	698	771	4.70	0.91
	-25°C	562	669	4.33	0.84
	-30°C	444	580	4.03	0.77
	Rated point -35°C	356	500	3.78	0.71
	-40°C	306	426	3.57	0.72

